

Decorator Technical Specification

Robe Hook

Y4703

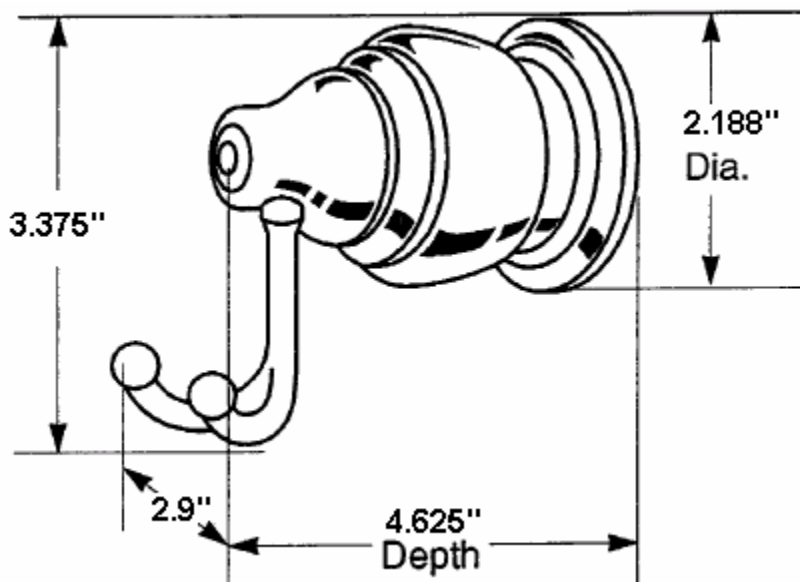
Stock Numbers:

- q **YB4703BN – Robe Hook**
Brushed Nickel Finish, Wholesale Packaging
- q **YB4703CH – Robe Hook**
Chrome Finish, Wholesale Packaging
- q **Y4703CH – Robe Hook**
Chrome Finish, Retail Packaging
- q **YB4703CP – Robe Hook**
Chrome & Polished Brass Finish, Wholesale Packaging
- q **Y4703CP – Robe Hook**
Chrome & Polished Brass Finish, Retail Packaging
- q **YB4703PMC – Robe Hook**
Platinum Finish, Optional Chrome Accent Ring, Wholesale Packaging
- q **YB4703PB – Robe Hook**
Polished Brass Finish, Wholesale Packaging
- q **YB4703STP – Robe Hook**
Satine Finish, Optional Polished Brass Accent Ring, Wholesale Packaging

Materials:

Robe Hook is constructed of zinc except for accent ring that is brass.

Dimensions:



Installation Instructions:

1. Position the assembled unit on the wall where desired.
2. Lightly mark the outline of the base.
3. Remove the mounting bracket from back of the fixture by loosening the setscrew with the allen wrench provided.
4. Center the mounting bracket in the outline. Make sure the arrow is pointing up and the setscrew holes are facing down.
5. Mark the hole locations.
6. Attach the bracket to the wall. Mounting into wood studs is recommended whenever possible.
7. Mount the base on the bracket, followed by the end cap. Tighten the setscrew to secure the assembly to the bracket.

Cleaning Instructions:

To preserve the fine finish of this product, clean only with a soft damp cloth. Dry well. Do not use commercial or abrasive cleaners.

Stock Number: _____ **Robe Hook**
By CSI Bath Furnishings



25300 AL MOEN DRIVE • NORTH OLMSTED, OH 44070
CORPORATE HEADQUARTERS: (800) 321-8809 • FAX: (800) 848-6636
INTERNATIONAL: (440) 962-2000 • FAX: (440) 962-2726
CUSTOMER SERVICE (USA): 800-882-0116 • FAX: (888) 379-2720
WWW.CSI.MOEN.COM

©Copyright Creative Specialties International 2006

Literature #BA1002